

**RT770E**  
Product Guide

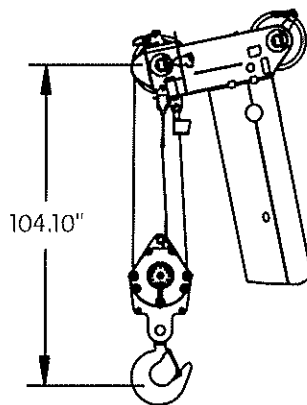
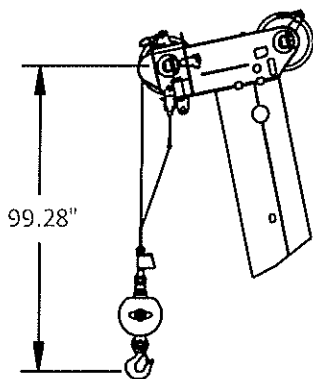
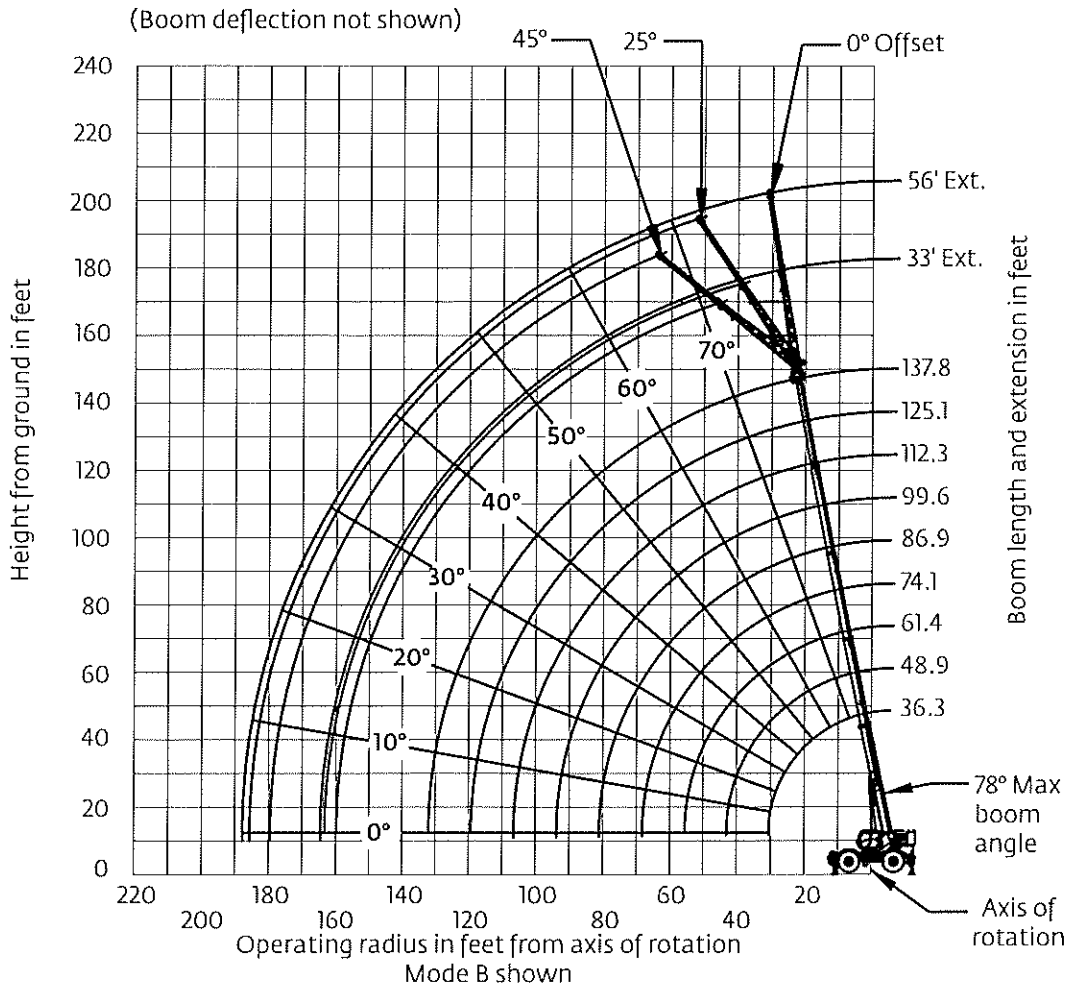
ANSI B30.5  
Imperial 85%

**Features**

- 65 t (70 USt) capacity
- 11 m – 42 m (36 ft – 138 ft) five-section full power boom
- 10,1 m - 17,1 m (33 ft - 56 ft) offsettable bi-fold lattice swingaway extension
- 6,1 m (20 ft) extension insert
- 6516 kg (14,365 lb) counterweight pinned to superstructure

# Working range (Mode B)


**42 m (138 ft) main boom and 10,1 m - 17,1 m (33 ft - 56 ft) bi-fold swingaway**





Dimensions are for largest Grove furnished hook block and headache ball, with anti-two block activated.


*THIS CHART IS ONLY A GUIDE AND SHOULD NOT BE USED TO OPERATE THE CRANE.  
The individual crane's load chart, operating instructions and other instructional plates must be read and understood prior to operating the crane.*

# Load chart


**11 m - 42 m**  
**(36 ft - 138 ft)**


**6516 kg**  
**(14,365 lb)**


**23 ft 4 in**  
**100%**


**360°**



**Pounds**

Feet	36.3	48.9	49.1	61.4	61.8	74.1	74.5	86.9	87.3	99.6	100.0	112.3	112.7	125.1	125.3	137.8
Tele 1	0%	50%	0%	100%	0%	100%	0%	100%	0%	100%	0%	100%	0%	100%	0%	100%
Tele 2	0%	0%	17%	0%	33%	17%	50%	33%	67%	50%	83%	67%	100%	83%	100%	100%
Tele 3	0%	0%	17%	0%	33%	17%	50%	33%	67%	50%	83%	67%	100%	83%	100%	100%
Tele 4	0%	0%	17%	0%	33%	17%	50%	33%	67%	50%	83%	67%	100%	83%	100%	100%
Mode	A, B	B	A	B	A	B	A	B	A	B	A	B	A	B	A	A, B
9	140,000 (71)															
10	130,000 (69.5)	91,650 (75.5)	50,000 (75)		49,900 (78)											
12	112,500 (65)	91,650 (73)	50,000 (73)	72,350 (78)	49,900 (76.5)											
15	93,250 (60.5)	91,100 (69)	50,000 (69)	72,350 (74)	49,900 (73.5)	50,000 (78)	41,650 (78)									
20	71,550 (50)	69,500 (62.5)	50,000 (62.5)	66,300 (69)	49,900 (69.5)	50,000 (73)	41,650 (73)	49,850 (78)	29,750 (75.5)	39,250 (78)	25,800 (78)					
25	56,650 (37.5)	54,900 (55.5)	50,000 (55.5)	54,350 (63.5)	49,750 (63.5)	50,000 (69)	41,650 (68.5)	44,250 (72.5)	29,750 (72.5)	39,250 (75.5)	25,800 (75)	29,550 (78)	21,900 (78)	22,600 (78)		
30	43,700 (16)	42,650 (47.5)	45,550 (47.5)	41,900 (58)	44,950 (58)	43,300 (64.5)	36,550 (64.5)	38,100 (69)	28,050 (68.5)	34,400 (72.5)	24,850 (72)	29,550 (75)	21,900 (74.5)	22,600 (77)	21,750 (78)	18,600 (78)
35		33,700 (38)	36,600 (38)	32,250 (52)	37,800 (52)	33,700 (60)	32,450 (60)	33,150 (65.5)	24,950 (65)	30,050 (69)	22,150 (69)	27,600 (72.5)	19,950 (71.5)	22,600 (74.5)	20,900 (74)	18,600 (76)
40		26,050 (25)	28,700 (25.5)	24,950 (45.5)	29,750 (46)	26,250 (55.5)	29,150 (55.5)	27,200 (61.5)	22,450 (61.5)	26,450 (66)	19,900 (65.5)	24,400 (69.5)	17,950 (69)	22,350 (71.5)	19,000 (71.5)	18,300 (74)
45				19,650 (38)	24,050 (38.5)	20,750 (50.5)	24,900 (50.5)	21,850 (58)	20,350 (57.5)	22,800 (63)	18,050 (62.5)	21,700 (66.5)	16,300 (66)	20,300 (69.5)	17,350 (69)	18,050 (72)
50				15,500 (28.5)	19,800 (29)	16,700 (45)	20,700 (45)	17,900 (53.5)	18,500 (53.5)	18,750 (59.5)	16,350 (59)	19,400 (64)	14,800 (63.5)	18,200 (67)	15,950 (66.5)	16,700 (69.5)
55				12,200 (12)	16,450 (14)	13,600 (38.5)	17,400 (39)	14,850 (49.5)	15,800 (49.5)	15,600 (56)	14,800 (55.5)	16,300 (61)	13,350 (60.5)	16,350 (64.5)	14,650 (64)	15,500 (67.5)
60						11,100 (31)	14,800 (31.5)	12,450 (44.5)	15,350 (45)	13,100 (52)	13,450 (52)	13,750 (57.5)	12,150 (57.5)	14,200 (62)	13,400 (61.5)	14,000 (65)
65						9070 (21)	12,650 (22)	10,500 (39)	13,550 (39.5)	11,050 (48.5)	12,300 (48.5)	11,650 (54.5)	11,050 (54.5)	12,150 (59)	12,250 (59)	12,600 (62.5)
70								8870 (33)	11,750 (33.5)	9,420 (44)	11,300 (44.5)	9,950 (51)	10,100 (51)	10,400 (56.5)	11,250 (56)	10,850 (60.5)
75								7450 (25.5)	10,250 (39.5)	8010 (40)	10,350 (47.5)	8500 (47.5)	9,270 (48)	8,940 (53.5)	10,600 (53.5)	9,990 (58)
80								6190 (13)	8,950 (14.5)	6,800 (34)	9,130 (34.5)	7,250 (44)	8,530 (44)	7,690 (50.5)	8,760 (50.5)	8,130 (55.5)
85										5,720 (28)	8,050 (28.5)	6,180 (39.5)	7,860 (40)	6,610 (47)	7,690 (47)	7,050 (52.5)
90										4,760 (19.5)	7,100 (20.5)	5,240 (35)	7,250 (35.5)	5,670 (44)	6,750 (44)	6,100 (50)
95												4,400 (10)	6,530 (30.5)	4,940 (40)	5,930 (40.5)	5,270 (47)
100												3,540 (23.5)	5,820 (24)	4,710 (36)	5,200 (36)	4,530 (43.5)
105												2,970 (13)	5,160 (14.5)	3,440 (31.5)	4,530 (31.5)	3,870 (40.5)
110														2,830 (26)	3,920 (26.5)	3,250 (36.5)
115														2,280 (19)	3,370 (19)	2,690 (32.5)
120																2,170 (28)
125																1,700 (22)
130																1,270 (13.5)
Minimum boom angle (°) for indicated length (no load)																0
Maximum boom length (ft) at 0° boom angle (no load) - Mode A																137.8
Maximum boom length (ft) at 0° boom angle (no load) - Mode B																137.8

NOTE: ( ) Boom angles are in degrees.  
 \*This capacity is based on maximum boom angle

Boom angle	Lifting capacities at 0° boom angle															
	36.3	48.9	49.1	61.4	61.8	74.1	74.5	86.9	87.3	99.6	100.0	112.3	112.7	125.1	125.3	137.8
0°	30,400 (30.5)	18,500 (43.1)	20,600 (43.2)	11,850 (55.6)	15,450 (55)	7,890 (63.3)	11,300 (68.7)	5,950 (81)	8,610 (81.4)	4,110 (93.8)	6,390 (94.2)	2,780 (105.5)	4,920 (106.9)	1,850 (119.2)	2,920 (119.4)	1,110 (132)

NOTE: ( ) Reference radii in feet.

80051692

**THIS CHART IS ONLY A GUIDE AND SHOULD NOT BE USED TO OPERATE THE CRANE.**

The individual crane's load chart, operating instructions and other instructional plates must be read and understood prior to operating the crane.